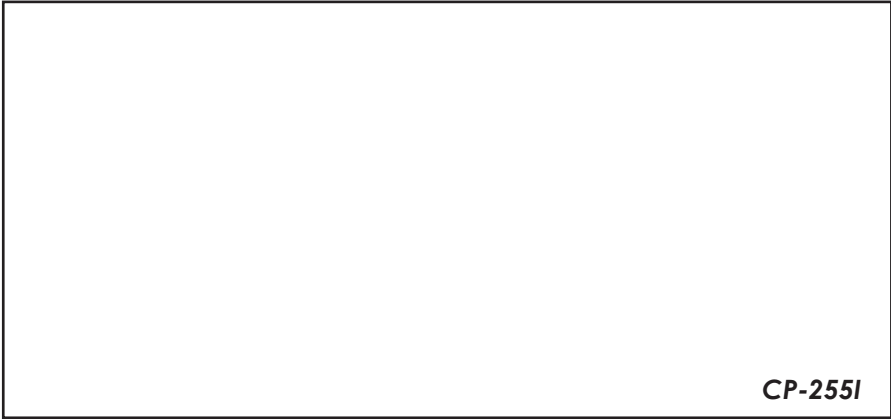


# ***CV/SV/PC/HD/HDMI*** ***1080p Scaler Box***

**Operation Manual**



**CP-255I**

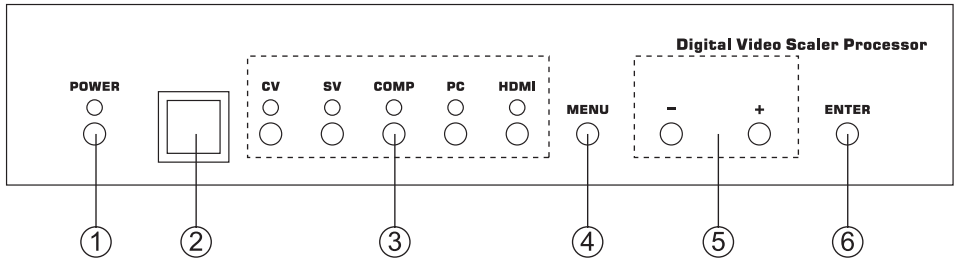
# TABLE OF CONTENTS

|  |   |
|--|---|
| <b>1. Introduction</b> .....                     | 1 |
| <b>2. Features</b> .....                         | 1 |
| <b>3. Package Contents</b> .....                 | 1 |
| <b>4. Operation Controls and Functions</b> ..... | 2 |
| 4.1 Front Panel.....                             | 2 |
| 4.2 Rear Panel.....                              | 2 |
| 4.3 OSD Operation.....                           | 4 |
| 4.4 Remote Control.....                          | 5 |
| <b>5. Specifications</b> .....                   | 6 |
| 5.1 General Specification.....                   | 6 |
| 5.2 Support Resolution.....                      | 6 |
| <b>6. Connection and Installation</b> .....      | 7 |



## 4. Operation Controls and Functions

### 4.1. Front Panel



- 1. POWER Button and LED Indicator:**

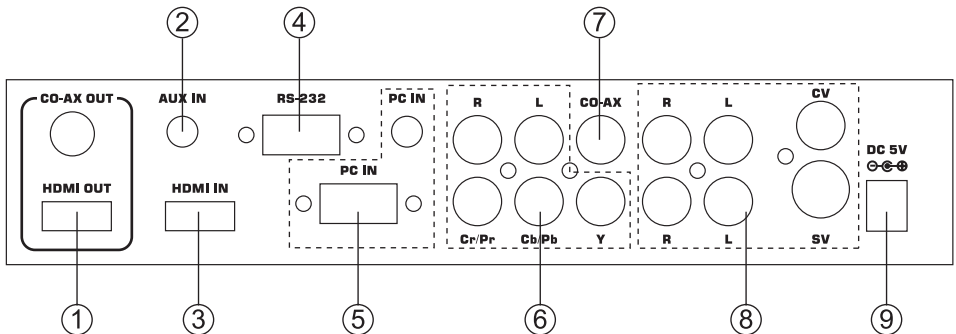
Press the button to turn ON/OFF the power of the unit. The LED will illuminate when the power is turned on.
- 2. IR remote control sensor.**
- 3. Input Selection Buttons and LED Indicators:**

Press each of the buttons (CV/SV/COMP/PC/HDMI) to select the desired input source. The LED will illuminate when the corresponding input is selected.
- 4. MENU Button:**

Press the MENU button to bring up OSD operation menu (see section "4.3 OSD Operation" for reference.)
- 5. +/- Buttons:**
  - On the first tier of OSD menu, use + and - buttons to move up/down the highlight item for selection.
  - Once the desired option is selected, use + and - buttons to toggle between setting values.
- 6. ENTER Button:**

In OSD menu, use the ENTER button to confirm the selection.

### 4.2. Rear Panel



1. HDMI OUT and CO-AX OUT:

Connect the HDMI OUT port to the HDMI input port of your display such as HDTV. Connect the CO-AX OUT port to the Coaxial (S/PDIF) input port of your amplifier for separate digital audio output.

2. AUX IN Input:

When the video signal input through the HDMI IN port is from a DVI source such as a PC, use the AUX IN port to input the audio signal.

3. HDMI IN Input:

Connect the HDMI IN port to the HDMI output port of your source equipment such as DVD player or Set-Top-Box. Or, use HDMI to DVI cable to connect to the DVI output of your PC.

4. RS-232:

The port is for firmware update only.

5. PC IN for Video and Audio Input:

Connect the PC IN D-Sub (15-pin) port to the D-Sub output port of your PC. And, connect the PC IN 3.5mm phone jack to the audio output port of your PC.

6. Y Pb/Cb Pr/Cr Video and L/R Audio Input:

Connect the Y Pb/Cb Pr/Cr (Component) 3 RCA input ports to the Component output port of your video source equipment such as DVD player or Set-Top-Box. And, connect the L/R audio input ports to the audio output port of your audio source equipment.

7. CO-AX Input:

The CO-AX port provides the digital audio input support, and can be used to combine with each video input signals from CV/SV/COMP/PC/HDMI ports. Once connected, please use the Audio Source Selection in the OSD menu to select between Coaxial (S/PDIF) or other audio source (see section "4.3 OSD Operation" for reference.)

8. Composite Video / S-Video and L/R Audio Input:

Connect the Composite or S-Video input port to the Composite or S-Video output port of your video source equipment such as DVD player or Set-Top-Box. And, connect the L/R audio input ports to the audio output port of your audio source equipment.

9. Power:

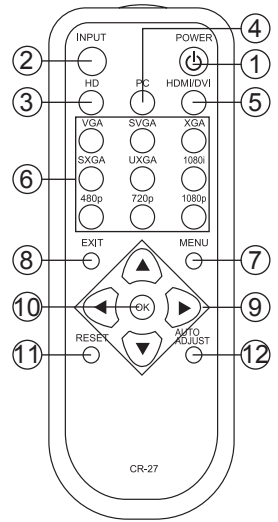
Plug the 5VDC power supply into the unit and connect the adaptor to AC wall outlet.

### 4.3. OSD Operation

| 1 <sup>st</sup> Tier Option | 2 <sup>nd</sup> Tier Option | Adjustment   |
|-----------------------------|-----------------------------|--|
| VIDEO                       | - PICTURE MODE              | USER / STANDARD / VIVID / MOVIE  |
|                             | - CONTRAST                  | 0 ~ 100 of Contrast Level  |
|                             | - BRIGHTNESS                | 0 ~ 100 of Brightness Level  |
|                             | - HUE                       | 0 ~ 100 of Hue Level   |
|                             | - SATURATION                | 0 ~ 100 of Saturation Level  |
|                             | - SHARPNESS                 | 0 ~ 100 of Sharpness Level   |
|                             | - SCALE                     | OVERSCAN / UNDERSCAN / LETTERBOX / PANSCAN / FULL  |
|                             | - NR                        | LOW / MIDDLE / HIGH / OFF  |
|                             | - EXIT                      | Back to the 1 <sup>st</sup> Tier   |
|                             | COLOR                       | - COLOR TONE   |
| - RED                       |                             | 0 ~ 100 of Red Color Level   |
| - GREEN                     |                             | 0 ~ 100 of Green Color Level   |
| - BLUE                      |                             | 0 ~ 100 of Blue Color Level  |
| - EXIT                      |                             | Back to the 1 <sup>st</sup> Tier   |
| OUTPUT                      | -                           | NATIVE / VGA / SVGA / XGA / SXGA / UXGA / 480i / 480p / 720p@60Hz / 1080i@60Hz / 1080p@60Hz / 576i / 576p / 720p@50Hz / 1080i@50Hz / 1080p@50Hz / WXGA / WSXGA / WUXGA |
| OSD                         | - HPOSITION                 | 0 ~ 100 of OSD Horizontal Position   |
|                             | - VPOSITION                 | 0 ~ 100 of OSD Vertical Position   |
|                             | - TIMER                     | 0 ~ 100 of OSD Show Time (sec.)  |
|                             | - TRANSP                    | 0 ~ 100 of OSD Transparent Level   |
|                             | - EXIT                      | Back to the 1 <sup>st</sup> Tier   |
| AUDIO                       | - SOURCE                    | HDMI / L/R / COAXIAL   |
|                             | - DELAY                     | OFF / 40MS / 110MS / 150 MS  |
|                             | - SOUND                     | ON / MUTE  |
|                             | - EXIT                      | Back to the 1 <sup>st</sup> Tier   |
| INFORMATION                 | -                           | SOURCE (Input interface)<br>INPUT (Input Resolution)<br>OUTPUT (Output Resolution)<br>VERSION (Firmware Version)   |
| EXIT                        | -                           | Close the OSD Menu   |

## 4.4. Remote Control

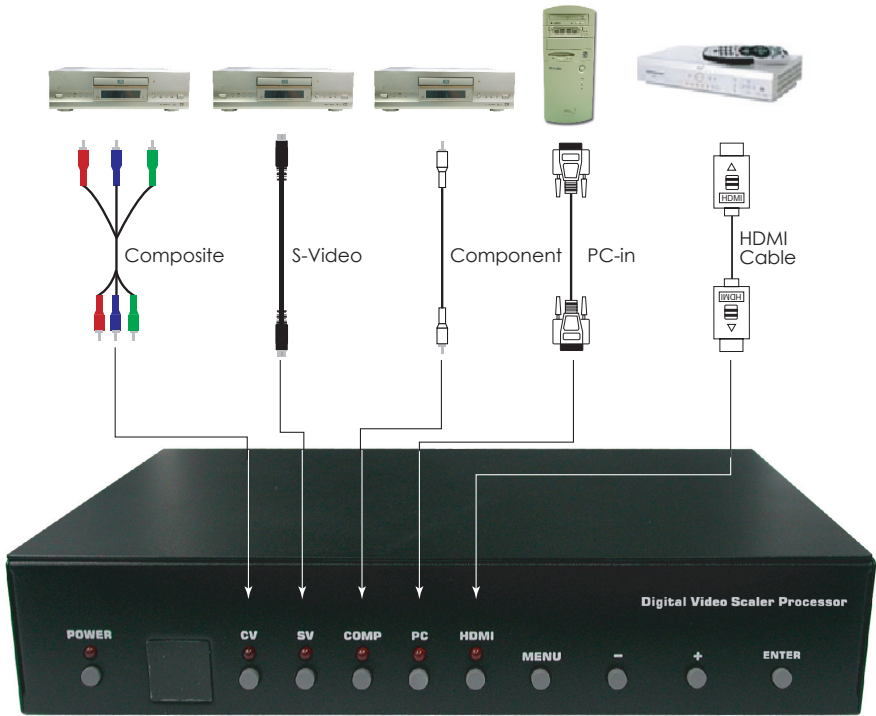
1. **POWER:**  
Press the button once to power on the CP-255I.  
Press again to enter standby mode.
2. **INPUT:**  
Press the button repeatedly to toggle through various input sources.
3. **HD Input:**  
Press the button to directly select component input.
4. **PC Input:**  
Press the button to directly select PC input.
5. **HDMI/DVI Input:**  
Press the button to directly select DVI (or HDMI) input.
6. **Output Resolution:**  
Press any one of the button to directly select output resolution. For other output resolutions that are not covered by these buttons please enter OSD Menu to select them.
7. **MENU:**  
Press the button to bring up OSD main menu page.
8. **Exit:**  
Press the button to exit from a sub menu or main menu.
9. **Up/Down/Left/Right:**  
Press the Up/Down button to move the highlight bar to your desired parameter during the OSD operation. Press the Left/Right button to increase/decrease the setting value of a selected parameter.
10. **OK (Enter):**  
Press the button to confirm your selection.
11. **Reset:**  
Press the button to reset the unit's firmware setting to the factory default value.
12. **Auto Adjust:**  
Press the button to optimize the position of the picture (picture centering) on the screen.







## 6. Connection and Installation



TV





## Cypress Scaler Box Series:

| <b>Product</b> | <b>INPUT</b>                          | <b>OUTPUT</b>        | <b>Highest Resolution</b> |
|----------------|---------------------------------------|----------------------|---------------------------|
| CP-259H        | HDMI                                  | HDMI                 | 1080p                     |
| CP-255I        | Video/S-Video/PC/<br>YPbPr/YCbCr/HDMI | HDMI                 | 1080p                     |
| CP-255H        | YPbPr/YCbCr/PC/<br>DVI-D/HDMI         | DVI-D<br>HDMI        | 1080p                     |
| CP-255D        | YPbPr/YCbCr/PC/<br>DVI-D              | PC<br>DVI-D          | 1080p                     |
| CM-394         | Video/S-Video/<br>SCART               | YPbPr/HDTV<br>RGB/PC | 1080i                     |
| CM-393S        | Video/S-Video/<br>SCART/HDMI          | HDMI                 | 1080i                     |
| CM-392         | Video/S-Video                         | HDMI                 | 1080i                     |
| CM-391         | Video/S-Video                         | DVI                  | 1080i                     |
| CM-390         | Video/S-Video                         | YPbPr/HDTV<br>RGB/PC | 1080i                     |
| CSC-220        | YPbPr/YCbCr/PC/<br>DVI-D              | PC<br>DVI-D          | 1080i                     |
| CS-720PHD      | SCART                                 | HDMI                 | 720p (fixed)              |
| CV-720PHD      | Video/S-Video                         | HDMI                 | 720p (fixed)              |
| CP-254         | DVI                                   | DVI                  | 1080i                     |
| CP-253         | DVI                                   | YPbPr/HDTV<br>RGB/PC | 1080i                     |
| CP-252         | YPbPr/HDTV<br>RGB/PC                  | DVI                  | 1080i                     |
| CP-251F        | YPbPr/HDTV<br>RGB/PC                  | YPbPr/HDTV<br>RGB/PC | 1080i                     |

