

# *PC/HD to DVI Format Converter*

Operation Manual



CP-1261D

## **Revision History**

<b>Version No.</b>	<b>Date</b>	<b>Summary of Change</b>
<b>V1</b>	<b>20081027</b>	<b>Preliminary Release</b>

## **Precaution**

Failure to follow the precautions described below may cause damage to the converter box and void the warranty.

- DO NOT open the case. Doing so will void the warranty. If you find problem with it, please return back to your retailer or seller who will assist you or provide you with solution.
- DO NOT use third-Party AC adapter or power cord. Doing so may damage the PC/HD to DV Format Converter.
- DO NOT bump, jar or drop contents of the products as it may damage it and result in warranty void.
- DO NOT set any liquids or beverages on the drive as they may damage the PC/HD to DV Format Converter.

# *Table of Contents*

1. Introduction.....	1
2. Application.....	1
3. Contents.....	1
4. System Require.....	1
5. Features.....	1
6. Operational Installation.....	2
7. Specification.....	3
8. DVI-Pin Configuration.....	4
9. Connection and Installation.....	4

## **1. Introduction**

This is a CP/HD to DVI format converter box. This box can convert and upgrade your display image from analog into digital and VGA into HD. When your source coming from either PC or traditional RGB signal through the PC/HD to DVI Format Converter, the image will be transform into DVI signal.

## **2. Application**

- Analog PC/HD signal to digital LCD monitor.

## **3. Contents**

- PC/HD to DVI Format Converter x 1
- Switching power supply adaptor x 1
- HD-15 VGA to 3 RCA cable x 1
- Operational manual x 1

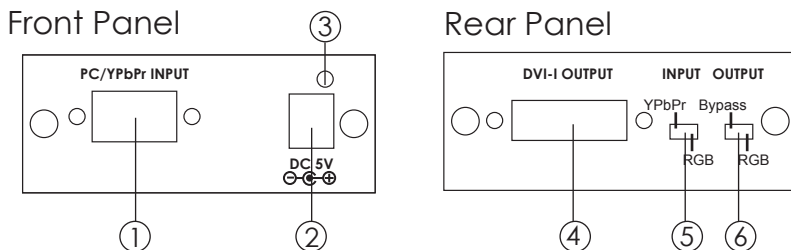
## **4. System Require**

PC/DVD or other source input and HDTV, projector, monitor or other output equipment.

## **5. Features**

- \* Connect computers with analog PC output or DVDs with HD output to digital DVI-I monitors or projectors.
- \* Select input between analog RGB and YPbPr manually.
- \* Select output between Bypass or digital RGB manually.
- \* Supports up to 1600 x 1200 @ 60 Hz for PC input and 1920 x 1080p @ 60 Hz for HD input.
- \* Built-in EDID

## 6. Operational Installation



- ① HD-15 D-Sub input: Connects to the PC or YPbPr source equipment, using VGA cable, or D-Sub to 3 RCA adaptor cable.
- ② DC 5V power input jack.
- ③ Power LED light.
- ④ DVI-I output: Connects to the DVI input of your display TV through DVI cable.
- ⑤ Input format switch:
  - Set the switch to YPbPr when the output format of your source equipment is component YPbPr. Use VGA to 3 RCA adaptor cable to connect between your source equipment and the unit.
  - Set the switch to RGB when the output format of your source equipment is RGBHV. Use- HD-15 D-Sub VGA cable to connect between your source equipment and the unit.

Output SW. \ Input SW.		Input	
		YPbPr	RGB
Bypass	YPbPr	YPbPr	RGB
	RGB	RGB	RGB

- ⑥ Output format switch:
 

When the input is YPbPr set the switch to bypass for digital YPbPr out, set the switch to RGB for digital RGB out.

When the input is RGB, set the switch to either position for the digital RGB out. There is no YPbPr out for RGB input.

## 7. Specifications

\* Input: Analog HD-15 (RGBHV or YPbPr)

\* Input signal:

RGB: 0.7 Vp-p 75 ohm

H + V: 3 to 5 Vp-p

or Y :1 Vp-p 75 ohm, Pb/Pr: 0.7 Vp-p, 75 ohm

\* Output: DVI-I connector (only DVI-D output)

\* Output signal: Digital RGB or YPbPr data bit stream

\* Compliant with DVI Rev 1.0

\* Operation frequency: up to 165MHz

\* Input/ Output resolution:

PC : 640x480=VGA60、VGA72、VGA75、VGA85

800x600=SVGA56、SVGA60、SVGA72、SVGA75、SVGA85

1024x768=XGA60、XGA70、XGA75、XGA85

1152x864=MAC70、MAC75、MAC85

1028x1024=SXGA60、SXGA75、SXGA85、

1600x1200=UXGA60

1920x1200=WUXGA60 Reduced Blanking (pixel-rate=154MHz)

HD/RGB : 480i60、576i50、480P60、576P50、720P60、720P50、

1080i60、1080i50、1080P60、1080P50、1080P30

Some PC monitor do not support HD mode.

\* Dimension (WxHxD) : 76 \* 30 \*105mm

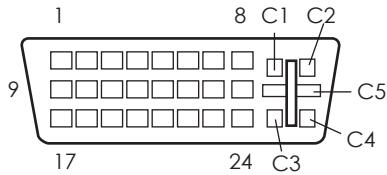
\* Power : 5V 500mA~2A Center-positive

\* EDID: Build-in

\* Power Consumption: 2w (max)

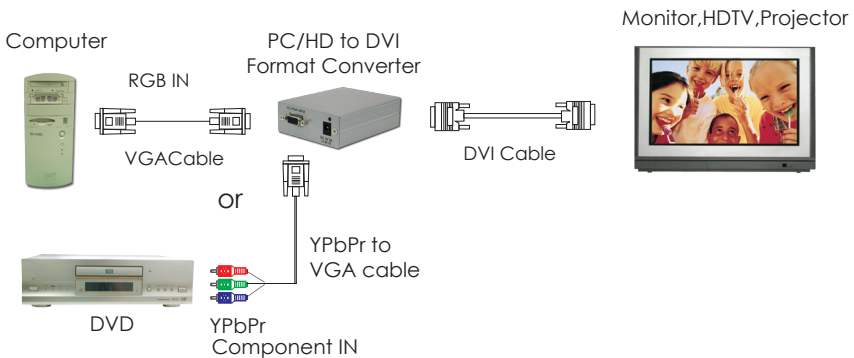
## 8. DVI-I Pin Configuration

DVI-Integrated(DVI-I): Supports both analog and digital connections to the display. This 29-pin connector can carry single or dual-link all-digital video/data signals on 24 pins and uses 5 pins to carry analog video/data signals and ground.



Combined Analog and Digital Connector Pin Assignments					
Pin	Signal Assignment	Pin	Signal Assignment	Pin	Signal Assignment
1		9	T.M.D.S. Data1-	17	T.M.D.S. Data0-
2		10	T.M.D.S. Data1+	18	T.M.D.S. Data0+
3	T.M.D.S. Data2/4 Shield	11	T.M.D.S. Data1/3 Shield	19	T.M.D.S. Data0/5 Shield
4		12		20	
5		13		21	
6	DDC Clock	14	+5V Power	22	T.M.D.S. Clock Shield
7	DDC Data	15	Ground (Return for +5V, Hsync, and Vsync)	23	T.M.D.S. Clock+
8		16	Hot Plug Detect	24	T.M.D.S. Clock-
C1		C2		C3	
C4		C5	Ground		

## 9. Connection and Installation





**CYPRESS TECHNOLOGY CO., LTD.**  
Home page: <http://www.cypress.com.tw>

20081106 MPM-1261D